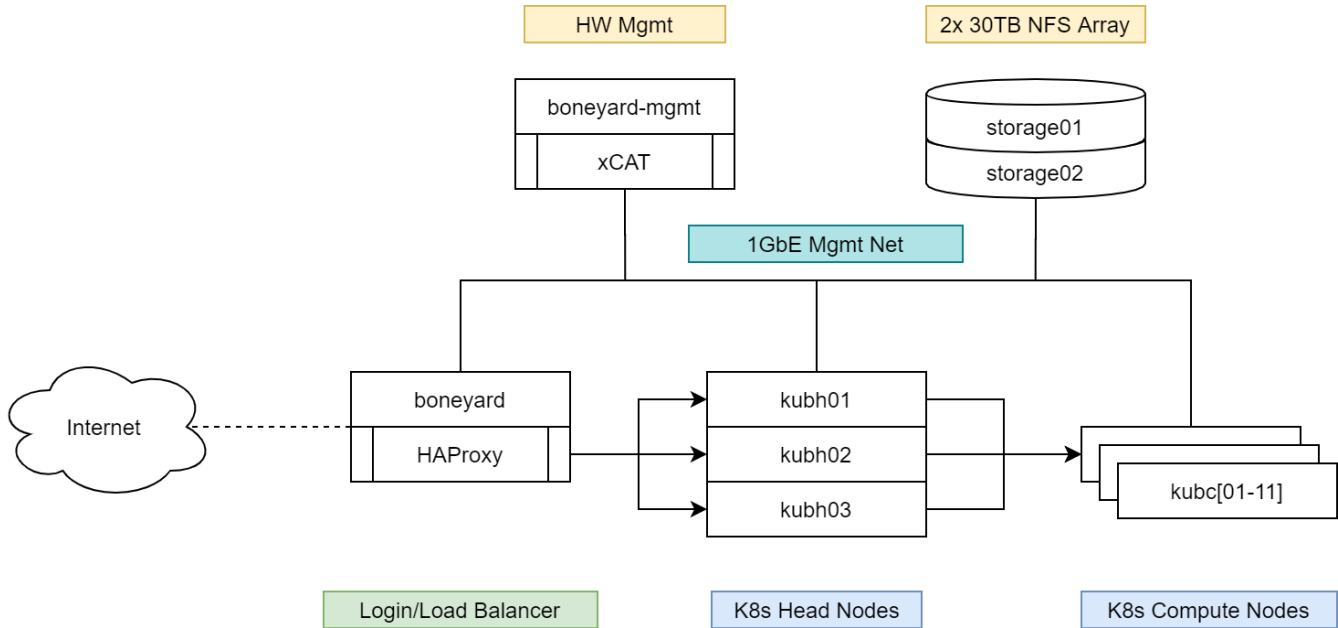


Kubernetes Cluster for Redeployable Research Services



Hardware

Available

- 22 Dell PE R410
 - ~~missing mounting rails~~
 - acquired 15/22 rails
- 5 Dell MD1200
- 2 Dell R510 w/12 3.5" drives
- 4 Dell R710
 - PERC H800 controller (known to lock out non-Dell drives)

Deployed

- 11 Dell R410 - compute
 - racked
 - powered
 - base OS installed
 - K8s deployed
- 4 Dell MD1200 - storage
 - racked
 - powered
- 2 Dell R710 - storage controller
 - racked
 - powered
 - base OS installed
 - filesystem ready
- 3 Dell R410 - high availability control plane
 - racked
 - powered
 - base OS installed
 - K8s deployed
- 1 Dell R410 - management (xcat, IPMI, puppet, ...)
 -

- racked
- powered
- base OS installed
- xcat
- puppet